

Precision Profile Center PJ812

NEW

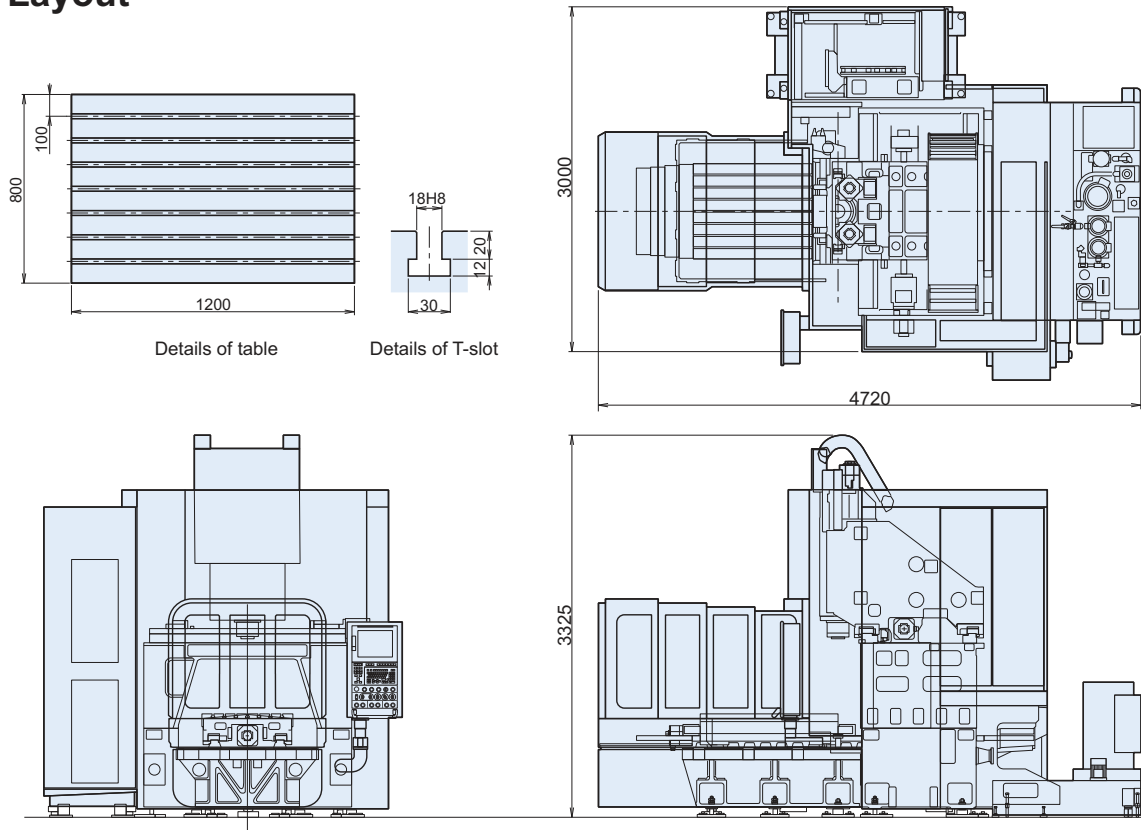


*Actual machine style may be differed since the picture is designed drawing.

Feature

- Ultimate mother machine realized Jig borer high accuracy positioning and High accuracy contouring machining.
- Planer type symmetric construction considered heat deformation.
- Realizing $0.1 \mu\text{m}$ axis feed by adapting new slide way contact mechanical design.
- Realizing the stabilized axis feed by adapting ball screw center cooling system, slide-way surface cooling system etc.
- Reducing Z axis thermal growth deflection about 1/3 compared to conventional spindle by adapting new developed spindle thermal growth compensation.
- Minimizing the distance between spindle center and Z axis driven portion.
- This improve the static rigidity of Z axis more than 6 times compared to conventional machine Z axis.
- Reducing 90% Electric Power and 40% Compressed Air consumption at un-machining time by adapting energy saving circuit.
- New Operation panel equipped 15" LCD Screen.

Floor Layout



Specifications

	Items	Unit	Specification
Stroke	X axis	mm	1,200
	Y axis	mm	800
	Z axis	mm	500
	Distance from spindle nozzle to table top	mm	150~650
Table	Working surface	mm	1,200 × 800
	Table T slot		width 18 T slot
	Max. permissible load on table	kg	1,500
Spindle	Spindle taper		ISO7/24 taper No.50
	Spindle rotation speed	min ⁻¹	15~30,000
	Spindle motor power	kW	30/15(15%ED/cont.)
	Spindle torque	Nm	44.1/19.1(15%ED/cont.)

	Items	Unit	Specification	
Feed rate	Rapid traverse	mm/min	24,000	
	Cutting feed rate	mm/min	max. 10,000	
Position detector of X,Y,Z axis			High resolution linear scale	
ATC	Tool storage capacity		40 tools	
	Maximum tool length	mm	300	
	Maximum tool diameter	with adjacent tools	mm	φ 90
		without adjacent tools	mm	φ 150
	Maximum tool weight	kg	10	
Positioning accuracy		mm	±0.001	
Repeating accuracy		mm	±0.001	
NC unit			FANUC 31i-B	
Machine weight		kg	15,000	

! Notis

* Products listed in this catalog are subject to Japanese foreign exchange and foreign trade control laws.

* Mitsui Seiki Reserves the right to change or modify technical data without prior notification.



MITSUI SEIKI KOGYO CO., LTD. <http://www.mitsuseiki.co.jp/>



JQA-0904



JQA-EM2883

Locations

HEAD OFFICE & MAIN FACTORY
 MITSUI SEIKI (U.S.A.) INC.
 MITSUI SEIKI (U.S.A.) INC. WEST COAST BRANCH OFFICE
 MITSUI SEIKI KOGYO CO., LTD. EUROPE LIAISON OFFICE
 MITSUI SEIKI (SHANGHAI) SERVICE CO.,LTD
 MITSUI SEIKI TAIPEI SERVICE CENTER
 MITSUI SEIKI (THAILAND) CO.,LTD
 MITSUI SEIKI REPRESENTATIVE OFFICE IN INDIA

6-13. HACHIMAN. KAWAJIMA-MACHI. HIKI-GUN. SAITAMA, 350-0193, JAPAN TEL: +81-49-297-5555
 563 COMMERCE STREET, FRANKLIN LAKES, NJ 07417, U.S.A. TEL: +1-201-337-1300
 2281 WEST 205th STREET SUITE 112 TORRANCE, CA 90501, U.S.A. TEL: +1-310-782-7650
 1, RUE DE SEJOURNE, 940000, CRETEIL, FRANCE TEL: + 33-1-49-80-3973
 432 HUAI HAI WEST ROAD SHANGHAI, 200052, P.R.CHINA CARERI BUILDING 6F-E TEL:+86-21-3226-7571
 No.382. SHI WEI STREET, SAN CHONG CITY, TAIPEI HSIEN, TAIWAN TEL: +886-2-2857-0708
 204/9S6 CIVT PARK MOO1, SOI EMTHAI, TEPARAK(K.M.22), T.BANGSAOTHONG, K.A.BANGSAOTHONG. SAMUTPRAKARN, 10540, THAILAND TEL:+66-2-313-1881
 3A, ARUNODAY APTS., 4A. N.N. DUTTA ROAD, TCLLYGUNGE, REGENT PARK, CALCUTTA: 700 040, INDIA TEL: +91-33-471-0715